

# PolaNt Choke Ring B3/E6

High precision geodetic choke ring antenna



septentrio  
Antennas



Scientific



Reference  
Network Stations



## KEY FEATURES

- ▶ **Support current and planned GNSS signals from GPS, GLONASS, Galileo, BeiDou, IRNSS, QZSS and SBAS**
- ▶ **BeiDou B3 and Galileo E6 capable**
- ▶ **High phase center stability**
- ▶ **IGS calibration available with or without radome**

Septentrio's PolaNt Choke Ring B3/E6 is a high precision geodetic multi-frequency, multi-constellation choke ring antenna for use with Septentrio's PolaRx family of high performance multiple-frequency GNSS reference receivers. It supports current and planned GNSS signals including BeiDou B3 and Galileo E6.

The PolaNt Choke Ring antenna incorporates low-noise amplifiers, powerful filters for out-of-band interference rejection combined with superior multipath rejection and a high phase centre stability.

It is a competitive alternative for Dorne & Margolin based antennas and is designed for high-end applications and reference station operations. The sealed radome allows reliable signal reception even in harsh conditions.

# PolaNt Choke Ring B3/E6

## FEATURES

### GNSS Frequencies

L-Band (MSS)	
GPS	L1, L2, L5
GLONASS	L1, L2, L3
Galileo	E1, E5a, E5b, E6
BeiDou	B1, B2, B3
SBAS	L1, L5
IRNSS	L5
QZSS	L1, L2, L5, L6

### Polarisation

RHCP

### Axial Ratio

3 db Max

### Radiation Coverage

Zenith	6.0 dBic
15° elevation	-2.0 dBic
10° elevation	-3.0 dBic
5° elevation	-4.0 dBic
Horizon	-5.0 dBic

### Amplifier

Gain	39 ± 2 dB
Noise Figure	2.6 dB max
Input Voltage	+4.2 to +15 VDC
Current	65 mA (typ)
Power handling	1 W
Impedance	50 Ω
VSWR	≤ 2.0:1

## PHYSICAL AND ENVIRONMENTAL

**Finish** White UV Resistant Polyurethane Enamel

**Weight** 5 kg / 11.02 lb

**Diameter** 376 mm / 14.8 in

**Connector** N-Type Female

**Operating Temperature** -55° C to +85° C

-67° F to +185° F

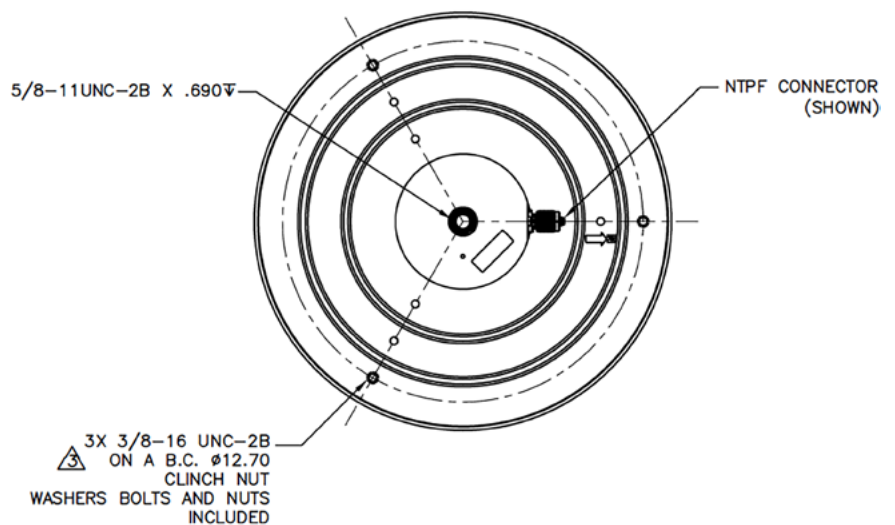
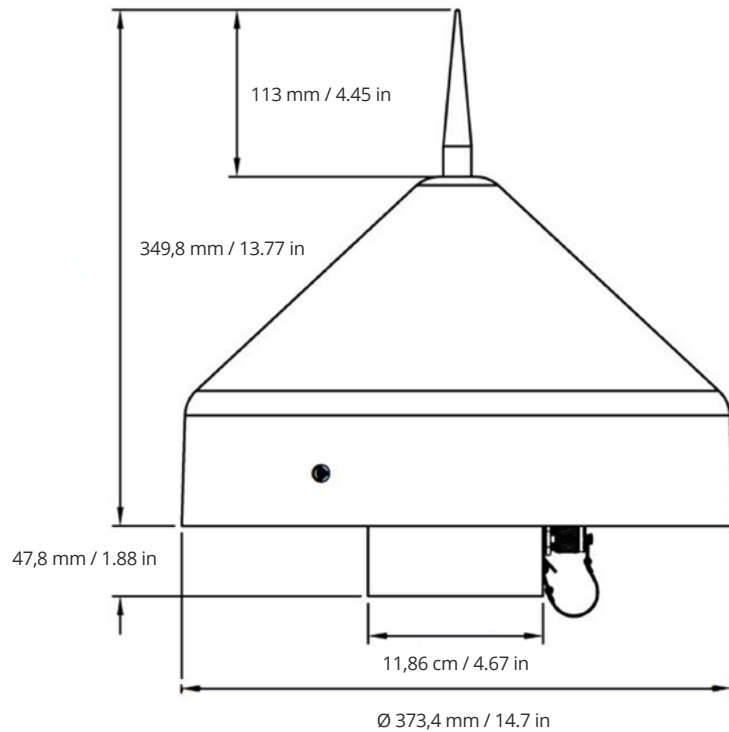
**Designed to** DO-160D

**IGS Reference** SEPCHOKE\_B3E6

**Certification** CE, RoHS, WEEE



## DIMENSIONS



**EMEA (HQ)** Greenhill Campus  
Interleuvenlaan 15i  
3001 Leuven, Belgium

[septentrio.com](http://septentrio.com)

**Americas**  
Los Angeles, CA, USA

[sales@septentrio.com](mailto:sales@septentrio.com)

**中国**  
宏成智能科技  
中国.上海  
中国.南京

[hc-zn.com](http://hc-zn.com)

宏成智能科技

